



RANGE OF PERFORMANCE

Flow rate up to 42 gpm
Head up to 190 ft

LIMITS OF USE

Manometric suction lift up to 23 ft
Liquid temperature up to + 194°F
Liquid temperature up to + 104°F in the CPX version
(with technopolymer impeller)
Environment temperature up to + 104°F

CONSTRUCTION AND SAFETY STANDARDS

EN 60034-1
IEC 34-1
CEI 2-3



INSTALLATION AND USE

They are recommended for pumping clean water and liquids that are chemically non aggressive to the materials from which the pump is made. **RELIABLE AND MAINTENANCE FREE THEY ARE WIDELY USED IN THE DOMESTIC AND CIVIL SECTOR, IN PARTICULAR FOR WATER DISTRIBUTION IN COMBINATION WITH SMALL OR MEDIUM PRESSURE SETS, FOR TRANSFER IN GENERAL, FOR IRRIGATING GARDENS.**

The pumps must be installed in enclosed places, or at least protected against inclement weather.

GUARANTEE 2 YEARS subject to our general terms of use

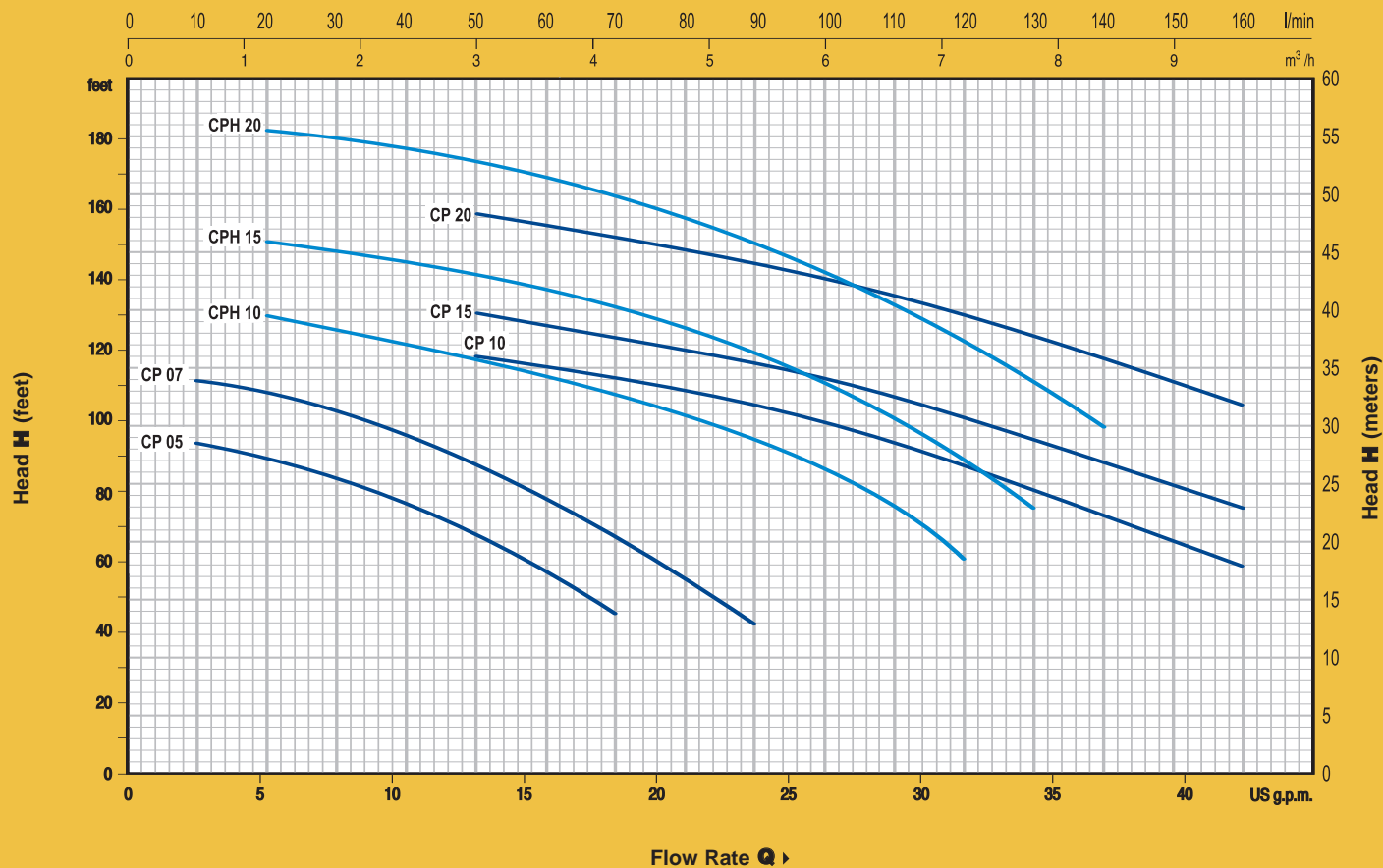
CONSTRUCTION CHARACTERISTICS

- **PUMP BODY:** cast iron, with threaded ports.
- **BODY BACK-PLATE:** stainless steel AISI 304 or cast iron on higher powered models.
- **BRASS IMPELLER**
- **MOTOR SHAFT:** stainless steel EN 10088-3 - 1.4104.
- **MECHANICAL SEAL:** ceramic - graphite - NBR.
- **ELECTRIC MOTOR:** the pumps are close-coupled to a carefully matched PEDROLLO electric motor, quiet running, totally enclosed fan cooled (TEFC), suitable for continuous duty.
 - CP: single-phase 115 V or 230 V - 60 Hz with capacitor and thermal overload protector built into the winding.
 - CP: three-phase 230/460 V - 60 Hz.
- **INSULATION:** class F. ● **PROTECTION:** IP 44.
- **REGISTERED MODEL n° 72753.**

OPTIONS ON REQUEST

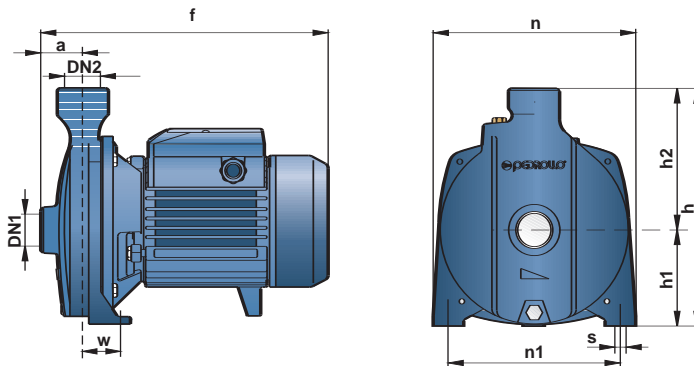
- ⇒ impeller in **technopolymer** (CP...X - CP...X)
- ⇒ special mechanical seal
- ⇒ other voltages or frequency 50 Hz

CURVES AND PERFORMANCE DATA



MODEL		HP	FLOW RATE GPM																		
1 PH	3 PH		FLOW RATE l/min																		
CP 05	CP 05	0.5	0	2	5	7	10	13	15	18	21	23	26	29	31	34	37	39	42		
CP 07	CP 07	0.7	99	94	89	84	77	69	57	46											
CPH 10	CPH 10	1	115	112	108	103	97	89	79	67	56	43									
CPH 15	CPH 15	1.5	138	135	130	126	122	118	113	108	102	95	85	76	61						
CPH 20	CPH 20	2	158	154	151	148	145	141	138	133	128	120	112	102	89	76					
CP 10	CP 10	1	187	186	182	181	177	174	169	164	158	151	141	133	123	112	99				
CP 15	CP 15	1.5	128	126	125	122	120	118	115	112	108	105	99	94	87	80	74	66	59		
CP 20	CP 20	2.0	141	140	138	135	133	131	128	123	120	115	112	107	102	95	89	82	76		
			168	166	165	164	163	159	156	153	148	145	140	135	130	123	118	112	105		

DIMENSIONS AND WEIGHT



MODEL		SUCTION / DISCH		DIMENSIONS INCHES										LBS	
1 PH	3 PH	DN1	DN2	a	f	h	h1	n	n1	w	s	s	1~	3~	
CP 05	CP 05	1"	1"	1.3	9.7	7.4	3.0	5.8	4.6	1.8	0.4	0.4	15.0	15.2	
CP 07	CP 07	1"	1"	1.7	10.5	8.3	3.2	6.5	5.3	1.6	0.4	0.4	18.6	0.0	
CPH 10	CPH 10	1 1/4"	1"	1.7	11.7	9.5	3.8	7.5	6.3	1.7	0.4	0.4	26.7	25.6	
CPH 15	CPH 15	1 1/4"	1"	2.0	13.4	10.2	4.3	8.1	6.5	1.7	0.4	0.4	42.4	40.9	
CPH 20	CPH 20	1 1/4"	1"	2.0	13.4	10.2	4.3	8.1	6.5	1.7	0.4	0.4	55.3	53.5	
CP 10	CP 10	1 1/4"	1"	2.0	13.4	10.2	4.3	8.1	6.5	1.7	0.4	0.4	58.1	56.4	
CP 15	CP 15	1 1/4"	1"	2.0	13.4	10.2	4.3	8.1	6.5	1.7	0.4	0.4	42.4	40.9	
CP 20	CP 20	1 1/4"	1"	2.0	13.4	10.2	4.3	8.1	6.5	1.7	0.4	0.4	55.3	53.5	