

PQH 20

**pump with peripheral impeller
for industrial uses**



RANGE OF PERFORMANCE

Flow rate up to 13 gpm
Head up to 590 ft

LIMITS OF USE

Manometric suction lift up to 26 ft
Liquid temperature up to + 194°F
Environment temperature up to + 104°F

CONSTRUCTION AND SAFETY STANDARDS

EN 60034-1
IEC 34-1
CEI 2-3



INSTALLATION AND USE

It is recommended for pumping clean water without abrasive particles and liquids that are chemically non aggressive to the materials from which the pump is made. **THE HYDRAULIC CHARACTERISTICS OF THIS PUMP, TOGETHER WITH ITS COMPACTNESS AND STURDINESS, MAKE IT SUITABLE FOR USE IN THE industrial SECTOR.** The pump must be installed in enclosed places, or at least protected against inclement weather.

GUARANTEE 2 YEARS subject to our general terms of use

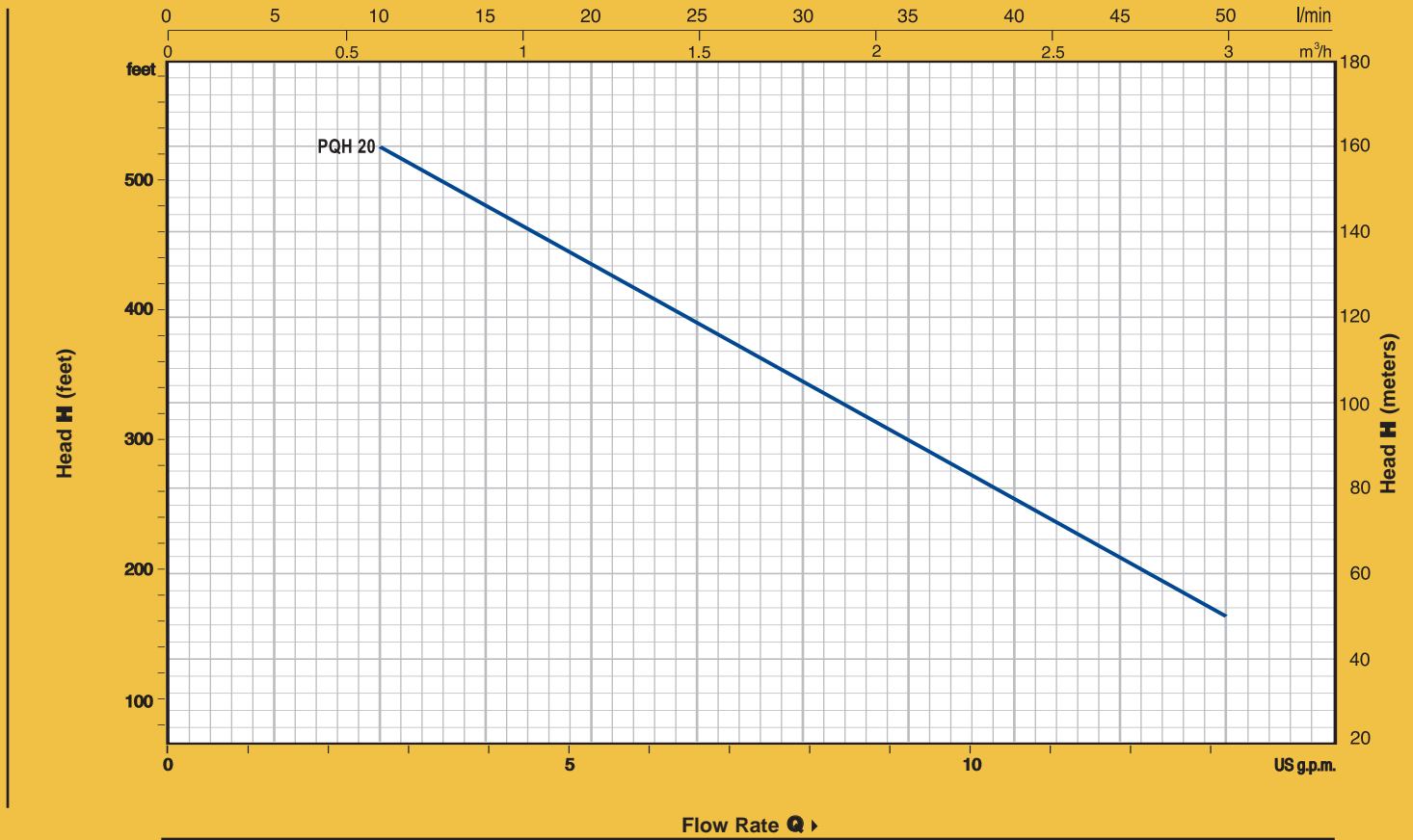
CONSTRUCTION CHARACTERISTICS

- **PUMP BODY:** cast iron, with threaded ports.
- **BODY BACK-PLATE:** brass with front shim disk in stainless steel.
- **MOTOR BRACKET (patent n° 1289150):** aluminium with brass and stainless steel insert; eliminates seizure of the impeller after long periods of inactivity.
- **IMPELLER:** bronze, of the type with radial peripheral vanes.
- **MOTOR SHAFT:** stainless steel EN 10088-3 - 1.4104.
- **MECHANICAL SEAL:** ceramic - graphite - NBR.
- **ELECTRIC MOTOR:** the pumps are close-coupled to a carefully matched PEDROLLO electric motor, quiet running, totally enclosed fan cooled (TEFC), suitable for continuous duty.
PQH 20: three-phase 230V - 60 Hz.
- **INSULATION:** class H. • **PROTECTION:** IP 55.

OPTIONS ON REQUEST

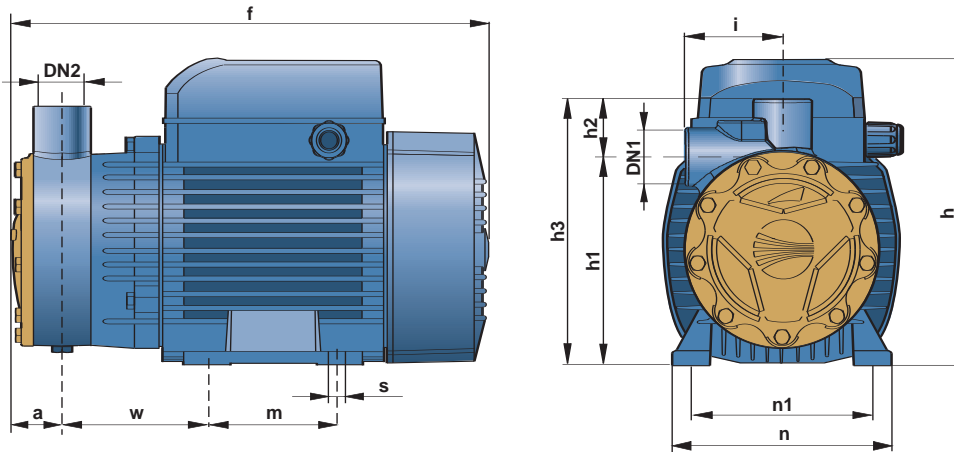
- ⇒ pump shaft in stainless steel EN 10088-3 - 1.4401 (AISI 316)
- ⇒ special mechanical seal
- ⇒ other voltages or frequency 50 Hz

CURVES AND PERFORMANCE DATA



MODEL	HP	FLOW RATE GPM	0	2.7	4	5.2	6.6	8	9.3	10.2	11.9	13.2
		FLOW RATE l/min	0	10	15	20	25	30	35	40	45	50
PQH 20	2	H feet	590	525	476	433	387	344	302	256	208	164

DIMENSIONS AND WEIGHT



MODEL	SUCTION / DISCH		DIMENSIONS INCHES											LBS	
	DN1	DN2	a	f	h	h1	h2	h3	i	m	n	n1	w		s
PQH 20	3/4"	3/4"	1.3	12.9	8.3	5.5	1.4	7.0	2.5	3.9	6.5	4.9	3.8	0.3	42.0