

# AR stainless steel centrifugal pump



## RANGE OF PERFORMANCE

Maximum flow rate 47 gpm

Maximum head 105 ft

## LIMITS OF USE

Manometric suction lift up to 23 ft

Liquid temperature up to + 195°F

Environment temperature up to + 130°F

## CONSTRUCTION AND SAFETY STANDARDS

EN 60034-1

IEC 34-1

CEI 2-3



## INSTALLATION AND USE

It is recommended for pumping clean water and liquids that are chemically non aggressive to the materials from which the pump is made.

**THE CONSTRUCTION OF THESE CENTRIFUGAL PUMPS MAKES THEM SUITABLE FOR USE IN THE DOMESTIC, AGRICULTURAL AND INDUSTRIAL SECTOR. ALL THE WETTED PARTS ARE IN STAINLESS STEEL AISI 304 TO GUARANTEE TOTAL HYGIENE AND MAXIMUM RESISTANCE TO CORROSION.**

The pump must be installed in enclosed places, or at least protected against inclement weather.

**GUARANTEE 2 YEARS** subject to our general terms of sale.

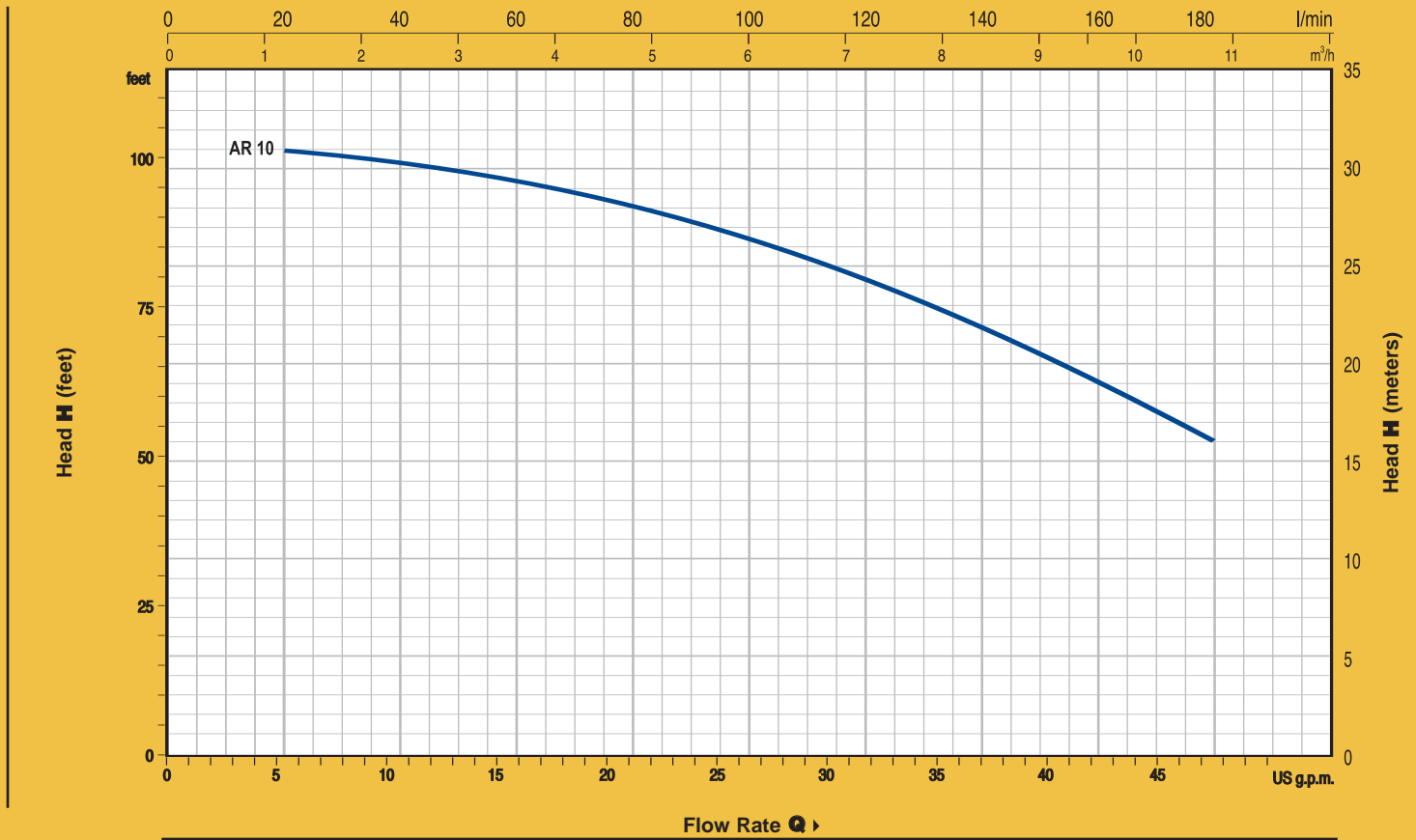
## CONSTRUCTION CHARACTERISTICS

- **PUMP BODY:** stainless steel AISI 304, with threaded ports.
- **BODY BACK-PLATE AND DIFFUSER:** AISI 304.
- **IMPELLER:** stainless steel AISI 304, of the type with centrifugal radial flow.
- **MOTOR SHAFT:** stainless steel EN 10088-3 - 1.4104.
- **MECHANICAL SEAL:** ceramic - graphite - NBR.
- **ELECTRIC MOTOR:** the pumps are close-coupled to a carefully matched PEDROLLO electric motor, quiet running, totally enclosed fan cooled (TEFC), suitable for continuous duty.
  - AR 10: single-phase 115 V or 230 V - 60 Hz with capacitor and thermal overload protector.
  - AR 10: three-phase 230/460 V - 60 Hz.
- **INSULATION :** class F. ● **PROTECTION:** IP 44.
- **REGISTERED MODEL n° 72753.**

## OPTIONS ON REQUEST

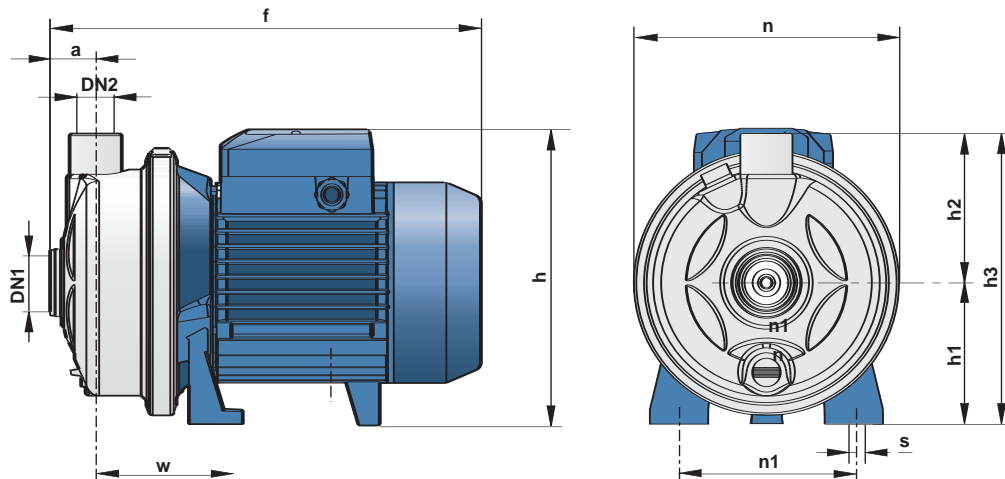
- ⇒ version in stainless steel EN 10088-3 - 1.4401 (AISI 316)
- ⇒ special mechanical seal
- ⇒ other voltages or frequency 50 Hz

## CURVES AND PERFORMANCE DATA



MODEL		HP	FLOW RATE																		
1 PH	3 PH		GPM	0	5	7	10	13	15	18	21	23	26	29	31	34	37	39	42	45	47
			l/min	0	20	30	40	50	60	70	80	90	100	110	120	130	140	150	160	170	180
AR 10	AR 10	1.0	H Feet	105	102	101	100	99	97	95	92	90	87	83	80	76	72	68	63	58	53

## DIMENSIONS AND WEIGHT



MODEL		SUCTION / DISCH		DIMENSIONS INCHES											WEIGHT
1 PH	3 PH	DN1	DN2	a	f	h	h1	h2	h3	n	n1	w	s	LBS	
AR 10	AR 10	1 1/4"	1"	1.2	11.6	8.1	3.8	4.1	7.9	7.2	4.5	3.7	0.4	20.1	