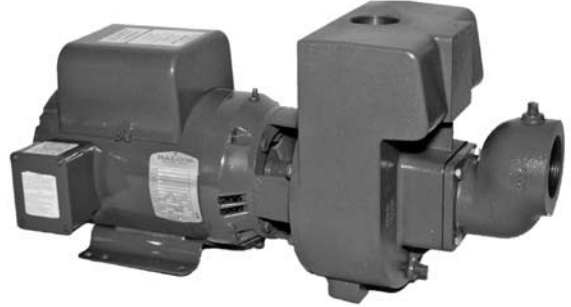


BMLS 3 & 5 HP: HIGH & MEDIUM SELF-PRIMING CENTRIFUGALS

One of the fastest self-priming pumps on the market. Available in high and medium head, they feature leak-proof mechanical seals, easy service design, heavy duty motors and rugged construction. They are specially suited for lawn sprinkling applications. The 3 & 5 HP feature a brass impeller and air volume control tapping, and include suction flange with flapper valve.



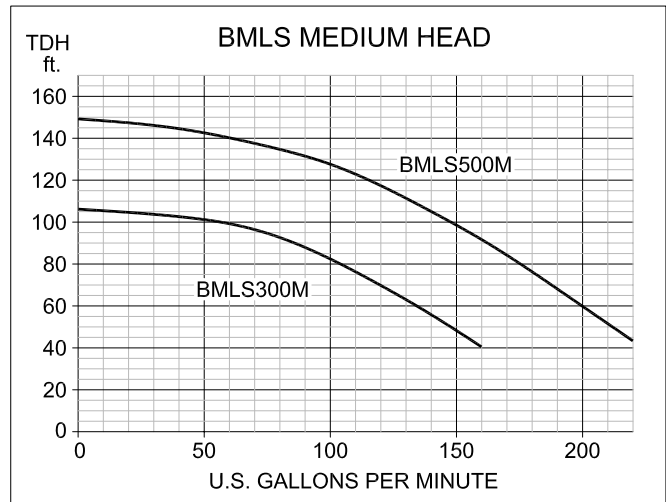
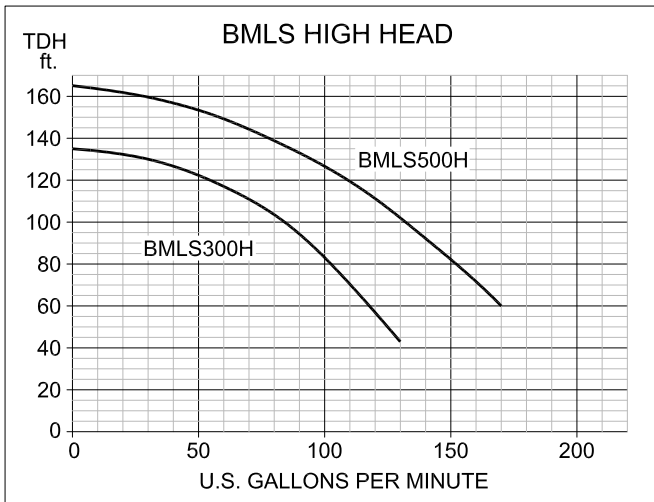
QUALITY FEATURES

ELECTRIC MOTORS:

All motors are NEMA "J", 3500RPM, 60Hz, dual ball bearings. Single phase or three phase. Single phase are capacitor start, 230 volts. Three phase are 230/460 volts.

MECHANICAL SEALS:

Carbon/Ceramic faces, Buna elastomers, and 300 series stainless steel. Optional seals are available.

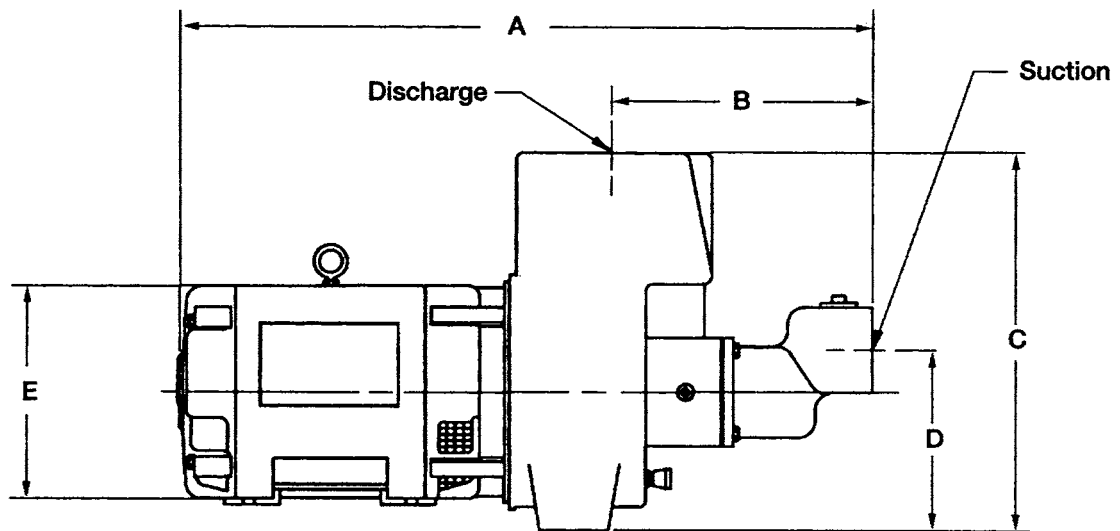
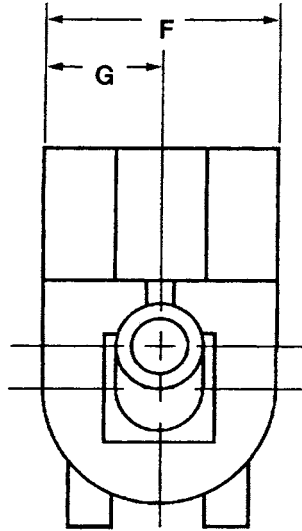


PERFORMANCE RATINGS

MODEL #	PART #	HP	VOLTS	PHASE	NPT INCH		DISCHARGE HEAD		SUCTION LIFT IN FEET					WEIGHT LBS.
							PSI	FEET	CAPACITY - U.S. GALLONS PER MINUTE					
									5	10	15	20	25	
BMLS-300H BMLS-300H-3	CBM300H5-120J CBM300H5-330J	3	230 230/460	1 3	2	1 1/2	20	46	123	120	108	98	70	144
							30	69	108	105	98	94	68	
							40	92	87	82	76	70	62	
							50	115	60	52	44	33	18	
							60	138	80	71	54	28		
BMLS-500H BMLS-500H-3	CBM500H5-120J CBM500H5-330J	5	230 230/460	1 3	2 1/2	2	20	46	162	160	151	140	98	182
							30	69	160	158	150	136	98	
							40	92	146	141	136	130	96	
							50	115	118	115	104	94	94	
							60	138	80	71	54	28		
BMLS-300M BMLS-300M-3	CBM300M5-120J CBM300M5-330J	3	230 230/460	1 3	2 1/2	2	20	46	156	150	140	135	100	144
							30	69	124	116	108	99	91	
							40	92	84	76	40	30	30	
							50	115	118	116	90	72	36	
							60	138	80	71	54	28		
BMLS-500M BMLS-500M-3	CBM500M5-120J CBM500M5-330J	5	230 230/460	1 3	3	2 1/2	20	46	218	212	206	198	172	182
							30	69	190	182	176	170	160	
							40	92	160	148	140	136	126	
							50	115	118	116	90	72	36	
							60	138	80	71	54	28		

Specifications are subject to change without notice.

BMLS 3 & 5 HP: HIGH & MEDIUM SELF-PRIMING CENTRIFUGALS



DIMENSIONAL INFORMATION													
PART #	HP	VOLTAGE	PHASE	SUCT.	DISC.	A	B	C	D	E	F	G	WEIGHT LBS.
CBM300H5-120J	3	230	1	2	1 1/2	25.50	7.44	13.25	6.50	9.38	9.25	4.75	144
CBM300H5-330J	3	208-230/460	3	2	1 1/2	23.50	7.44	13.25	6.69	7.19	9.25	4.75	144
CBM500H5-120J	5	230	1	2 1/2	2	27.25	8.44	13.25	7.44	8.56	9.25	4.75	182
CBM500H5-330J	5	208-230/460	3	2 1/2	2	25.75	8.44	13.25	7.44	9.38	9.25	4.75	182
CBM300M5-120J	3	230	1	2 1/2	2	26.50	8.44	13.25	7.44	9.38	9.25	4.75	144
CBM300M5-330J	3	208-230/460	3	2 1/2	2	24.50	8.44	13.25	7.44	7.19	9.25	4.75	144
CBM500M5-120J	5	230	1	3	2 1/2	27.25	8.44	13.25	7.44	8.56	9.25	4.75	182
CBM500M5-330J	5	208-230/460	3	3	2 1/2	25.75	8.44	13.25	7.44	9.38	9.25	4.75	182