

# MYERS® CMV5

The Myers® CMV5 sewage pump provides powerful lift in demanding residential installations. This economical pump features a combination of cast iron and thermoplastic construction for outstanding corrosion resistance. Solids up to 2" in diameter easily pass through the specially designed recessed vortex impeller.

## APPLICATIONS

Sewage, high-capacity sump, effluent

## SPECIFICATIONS

**Capacities** – 95 GPM (360 LPM)  
**Shut-off Head** – 19' shut-off (5.8 m)  
**Solids Handling** – 2" (50.8 mm)  
**Liquids Handling** – Raw sewage, effluent and drain water  
**Intermittent Liquid Temperature** – Up to 140°F (60°C)  
**Motor/Electrical Data** – 1/2 HP, permanent split capacitor type, 1625 RPM, 115V, 12A, 1Ø, 60Hz  
**Acceptable pH Range** – 6-9  
**Discharge, NPT** – 2" (50.8 mm)  
**Housing** – Cast iron  
**Power Cord** – 20', 16/3, SJTW  
**Impeller** – Recessed, thermoplastic  
**Volute Case** – Thermoplastic  
**Shaft Seal** – Type 11A, carbon and ceramic  
**Minimum Sump Diameter** – Simplex: 18" (457 mm)  
 Duplex: 30" (762 mm)



## FEATURES

### Stronger Starts

High-torque, permanent split capacitor (PSC) motor; no relays or starting switches to wear out

### Handles the Heat

High-endurance, oil-cooled motor for continuous bearing lubrication and critical heat dissipation

### Thermal Overload

Heat sensor overload protection with automatic reset when motor cools to a safe operating temperature

### Versatile Applications

Effective and efficient performance in septic tank sewage, effluent and high-capacity sump applications

### Longer Bearing Life

Recessed impeller reduces radial bearing loads, increasing bearing life

### Free-flow Design

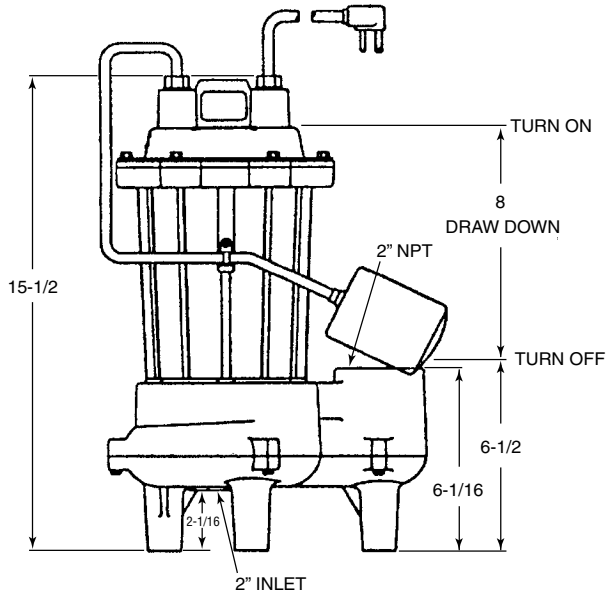
Recessed impeller design also improves the free flow of solids up to 2"

## ORDERING INFORMATION

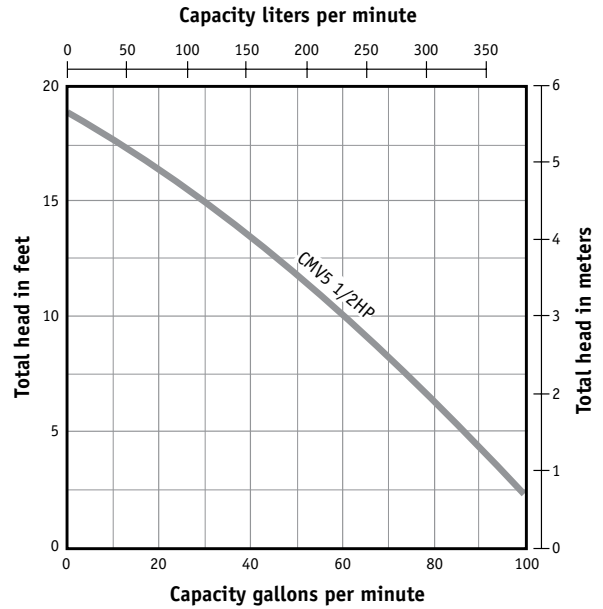
Catalog Number	HP	Volts	Phase/Cycles	Amps	Discharge Size	Switch Type	Cord Length	Approx. Wt. Lbs.
CMV5A-11	1/2	115	1/60	12	2"	Automatic	20'	32

# MYERS<sup>®</sup> CMV5

## DIMENSIONS



## PUMP PERFORMANCE



USA  
293 WRIGHT STREET, DELAVAN, WI 53115 WWW.FEMEYERS.COM  
PH: 888-987-8677 ORDERS FAX: 800-426-9446

CANADA  
269 TRILLIUM DRIVE, KITCHENER, ONTARIO, CANADA N2G 4W5  
PH: 519-606-5484 ORDERS FAX: 800-426-9446

Because we are continuously improving our products and services, Pentair reserves the right to change specifications without prior notice.