



MYERS[®]
MODELS WHR & WHR-DS
2" SOLIDS HANDLING SEWAGE PUMPS
SINGLE AND DOUBLE SEAL



MYERS® MODELS WHR & WHR-DS

Solids Handling Sewage Pumps

The Right Choice

The WHR Series pumps are designed for use in light commercial and residential raw sewage applications. WHR pumps will pass a full 2-inch sphere. The recessed vortex impeller provides an unobstructed passage in the volute case which allows these pumps to handle stringy, trashy solids without plugging the impeller. The vortex impeller also greatly extends the pumps bearing life. Available in double seal configuration for extended motor life. For more information, call your Myers distributor or the Myers Ohio sales office at 419-289-6898.

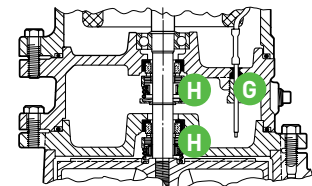
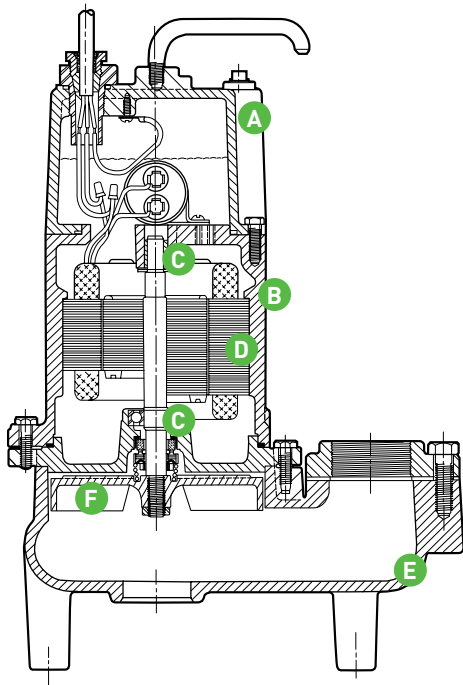


Product Capabilities		
Capacities To	175 gpm	662 lpm
Heads To	33 ft.	10.1 m
Solids Handling	2 in.	50.8 mm
Liquids Handling	raw, domestic and light commercial sewage	
Intermittent Liquid Temp.	140°F	60°C
Winding Insulation Temp. (Class F)	266°F	130°C
Motor Electrical Data	1/2 HP, 115V, 1Ø, 60 Hz, PSC 1/2, 3/4, 1 HP, 230V 1Ø, 60 Hz, PSC 200/230/460/575V, 3Ø, 60 Hz	
Acceptable pH Range	6 – 9	
Specific Gravity	.9 – 1.1	
Discharge, NPT (Optional)	2 in. 3 in.	50.8 mm 76.2 mm
Min. Sump Diameter		
Simplex	24 in.	609.6 cm
Duplex	30 in.	762.0 cm

Note: Consult factory for applications outside these recommendations.

Construction Materials		
Motor Housing	cast iron	
Volute Case	cast iron	
Impeller	cast iron, vortex	
Power Cord	Single Seal	Double Seal
	16/3, 1Ø	14/4, 1Ø
	16/4, 3Ø	14/3, 1Ø L/D
	SJOW/SJOWA	16/4, 3Ø L/D
Mechanical Seals:		
Standard	single, type 21, carbon and ceramic	
Optional	double tandem, carbon and ceramic	
Pump, Motor Shaft	416 SST	

Pump Features and Applications



A. Separate Capacitor Housing

Permits capacitor replacement (single phase only) without dismantling motor.

B. Motor Housing

Cast iron; pressed-in stator for best heat transfer and alignment.

C. Bearings

Support rotor. Take radial and thrust loads.

D. Motor

1/2, 3/4, or 1 HP. Single or three phase, 60 Hz, 1750 RPM. Oil-cooled and lubricated. Permanent split capacitor (1Ø).

E. Volute Case

Cast iron with support legs. Passes 2" solids.

F. Impeller

Recessed completely out of volute passage.

G. Seal Leak Probe

Optional probes (single phase only) detect water leakage in seal housing. Activates warning light.

H. Shaft Seals

Carbon and ceramic faces. Dual tandem seals extends motor life.

Durable Motor.

- Oil-filled for cooler operation and constant bearing lubrication.
- Single phase PSC motors have no starting switch to fail.
- Recessed impeller reduces radial bearing loads, increases bearing life.

Solids Handling Operation.

- Recessed vortex impeller passes 2" solids.
- Impeller operates completely out of volute passage.
- Passes stringy trash and other solids which conventional semi-open impellers cannot.

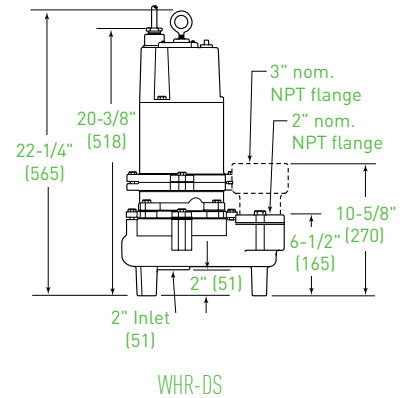
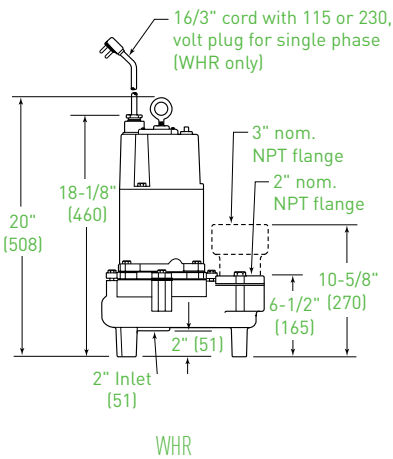
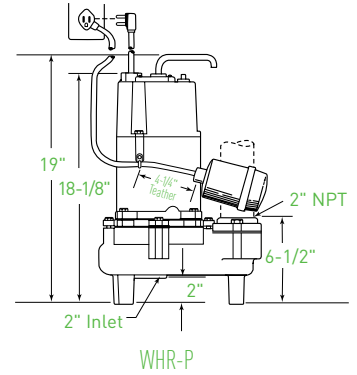
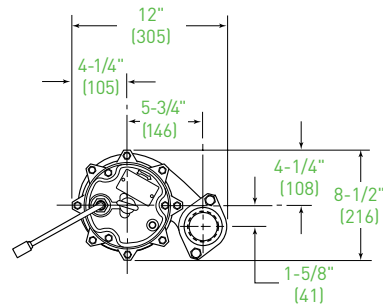
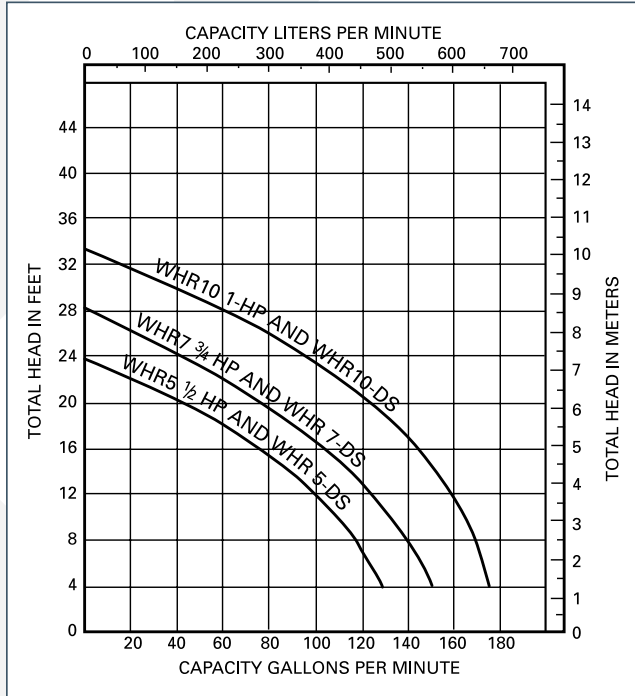
Available With Automatic Piggy-Back Switch For Maintenance-Free Operation.

- Piggy-backed mechanical float switch allows pump to operate automatically or can be unplugged for manual operation.

Performance Data and Dimensions

[Dimensions in mm]

1750 RPM



740 EAST 9TH STREET,
ASHLAND, OHIO 44805
WWW.FEMYERS.COM

269 TRILLIUM DRIVE, KITCHENER,
ONTARIO, CANADA N2G 4W5
WWW.FEMYERS.COM

Because we are continuously improving our products and services, Pentair reserves the right to change specifications without prior notice.
K3242 1/2/13 © 2013 Pentair Ltd. All Rights Reserved.